

PKT33 Armored temperature transmitter

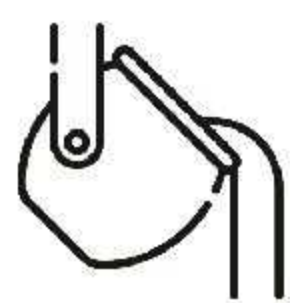
Certification



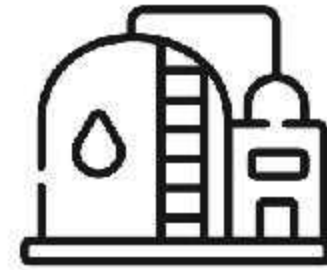
Application Scenarios



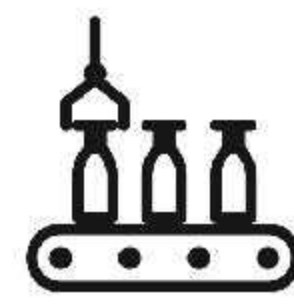
Petroleum
Petrochemical



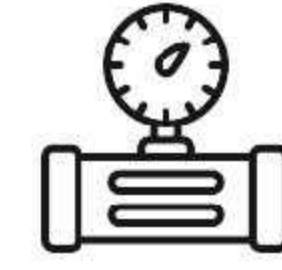
Ferrous
metallurgy



Pharmaceutical
equipment



Food
Machinery



Measurement and
control field



Product Features

Range	Accuracy	Medium temperature	Output	Probe material
-50...1200°C	0.1%FS, 0.15%FS , 0.2%FS, 0.5%FS	-50...1200°C	4...20mA、0...5V、 0...10V、Modbus、 HART	304, 316, Inconel, PFA, ceramics, Hastelloy, titanium alloys, etc

Product Description

As an armored temperature transmitter, it has a wide temperature range of -50... 1200 °C and multiple options for comprehensive conversion accuracy: 0.1% FS, 0.15% FS, 0.2% FS, 0.5% FS, and the annual drift is very small, at 0.2% FS/year. Extremely stable performance and excellent long-term stability.

Widely used in petrochemical, energy various measurement and control fields such as food, pharmaceuticals, ships, oceans, and industrial atmosphere.

The temperature transmitter uses thermocouples and thermistors as temperature measuring elements. The output signal from the temperature measuring element is sent to the transmitter module, which is then stabilized, filtered, and operated after processing circuits such as large, nonlinear correction, V/I conversion, constant current, and reverse protection, convert them into 4-20mA current signals that are linearly related to temperature

0-5V/0-10V voltage signal, RS485 (Modbus) digital signal output, can be directly connected to upper computer, PLC, various intelligent instruments and control monitoring testing platform communicates directly.

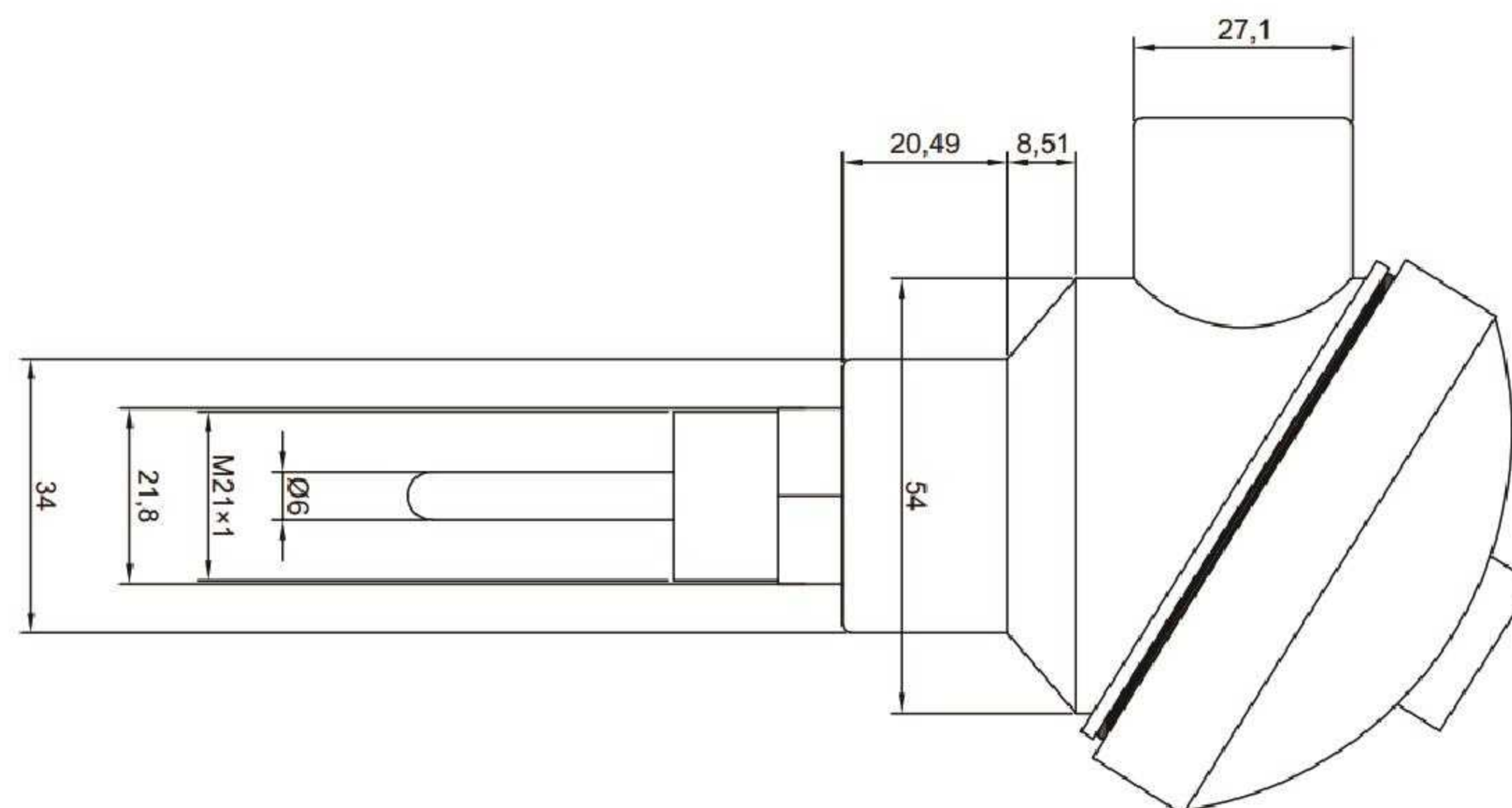
The probe material types are diverse, including stainless steel 304 and stainless steel 316; Materials available for special working conditions: PFA, Inconel, Hastelloy, titanium alloy, etc.

Choose the most suitable material based on the on-site working conditions.

Technical Parameter

Application scenarios	Temperature measurement
Measurement range	-50...1200°C
Comprehensive accuracy	0.1%FS, 0.15%, 0.2%FS, 0.5%FS
Response time	<3s (rising to 90% FS)
Medium temperature	-50.....1200°C
Operating temperature	-40.....85°C
Supply Voltage	DC24V (10...30 V DC)
Output signal	4...20mA 、 0...5V、 0...10V、 Modbus、 HART
Sealing level	IP65
Connection material	Stainless steel 304, stainless steel 316
Probe material	SS 304, SS 316, Hastelloy, titanium alloy
Stability performance	0.2% FS/year
Process connection	Thread, flange, clamp
Electrical interface	Shielded wire, aviation connector, Hesmman, threaded M20, NPT1/2, G1/2

Specifications and Dimensions



Certification

A Common

Process connection

AA	ASME flange 1" 300lbs RF
AB	ASME flange 1-1/2" 150lbs RF
AC	ASME flange 1-1/2" 300lbs RF
AD	ASME flange 2" 150lbs RF
AE	ASME flange 2" 300lbs RF
AF	ASME flange 3" 150lbs RF
AG	ASME flange 3" 300lbs RF
AH	ASME flange 4" 150lbs RF
AI	ASME flange 4" 300lbs RF
HK	HG/T20592 flange DN25 PN10/40 RF
HA	HG/T20592 flange DN50 PN10/40 RF
HB	HG/T20592 flange DN63 PN10/40 RF
HC	HG/T20592 flange DN80 PN10/40 RF
HD	HG/T20615 flange NPS 2" Cl.150 RF
HE	HG/T20615 flange NPS 3" Cl.150 RF
HF	HG/T20615 flange NPS 2" Cl.300 RF
HG	HG/T20615 flange NPS 3" Cl.300 RF
TA	Sanitary ISO2852 1-1/2" "
GM	M20x1.5
GN	MNPT1/2, Male thread
GT	MNPT1/4, Male thread
GS	M27x2
GQ	MNPT3/4, Male thread
GO	G1/4
GP	G1/2
GR	G1
RA	R1/2
YY	Special selection

Shell+communication interface

A Armored shell

Probe length

A	100mm
B	200mm
C	500mm
D	1000mm
—	Customized

Output

1	4-20mA
2	4-20mA + Display
3	0-10V
4	0-10V + Display
5	Modbus
6	Modbus + Display
7	4-20mA Hart
8	4-20mA Hart + Display
9	Customized

Probe diameter

A	6mm
B	8mm
C	10mm
D	12mm
E	16mm

Temperature range

A	0...100°C
B	0...500°C
C	0...1200°C
D	-50...100°C
E	-50...1200°C
X*Y	X... Y

Probe material

L-304
S-316
N-Inconel
F-PFA Coating
H Ceramic
TA-Titanium
Y-Special

Accuracy

C	0.1%
D	0.15%
E	0.2%
F	0.5%

Cooling pipe

A	Common
L	With Cooling Pipe

Accessory

H1 Sheath (inquiry)

10 20 30 40 50 60 70 80 90 100 110

PKT33 铠装温度变送器

选型规则:

需求: 铠装、4-20mA、0...150°C、G1/4、100mm和直径6mm、0.2%FS

选择型号: PKT33-AA1-0*150A -AAGOLE