

# PK960 Differential Pressure Transmitter

## Certification



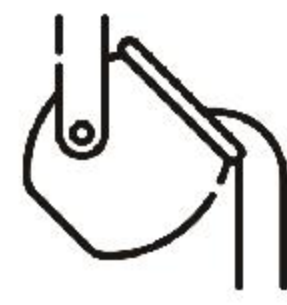
RoHS



## Application Scenarios



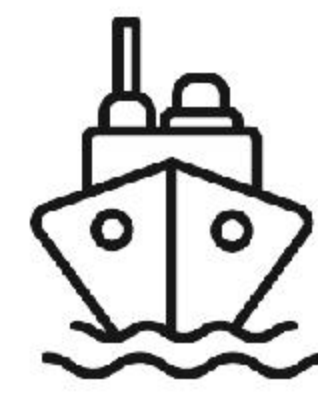
Petrochemical industry



Ferrous metallurgy



Water treatment system



Shipbuilding



Industrial measurement and control field

## Product Features

Range	Accuracy	Output	Connection material	Diaphragm
0....4MPa differential pressure	0.05%FS、 0.075%FS、 0.1%FS	4...20mA、0...5V 、0...10V、 Modbus、HART	Stainless steel 304, Stainless steel 316	Stainless steel 316, Hastelloy alloy, tantalum, PFA coating

## Product Description

This product is a differential pressure transmitter, with a maximum comprehensive accuracy of 0.05% FS and very small annual drift of 0.05% FS per year. Very stable performance, long-term stability, qualitative excellence. The product has obtained intrinsic safety and explosion-proof certification, and its high reliability performance is widely used in petrochemical, steel metallurgy, and water treatment systems in the fields of shipbuilding, industrial measurement, and control.

The product uses high-performance conditioning chips and integrated circuits to convert sensor millivolt or milliampere signals into standard voltage, current, or digital signals, which can be directly communicate with upper computer, PLC, various intelligent instruments, and control monitoring platforms.

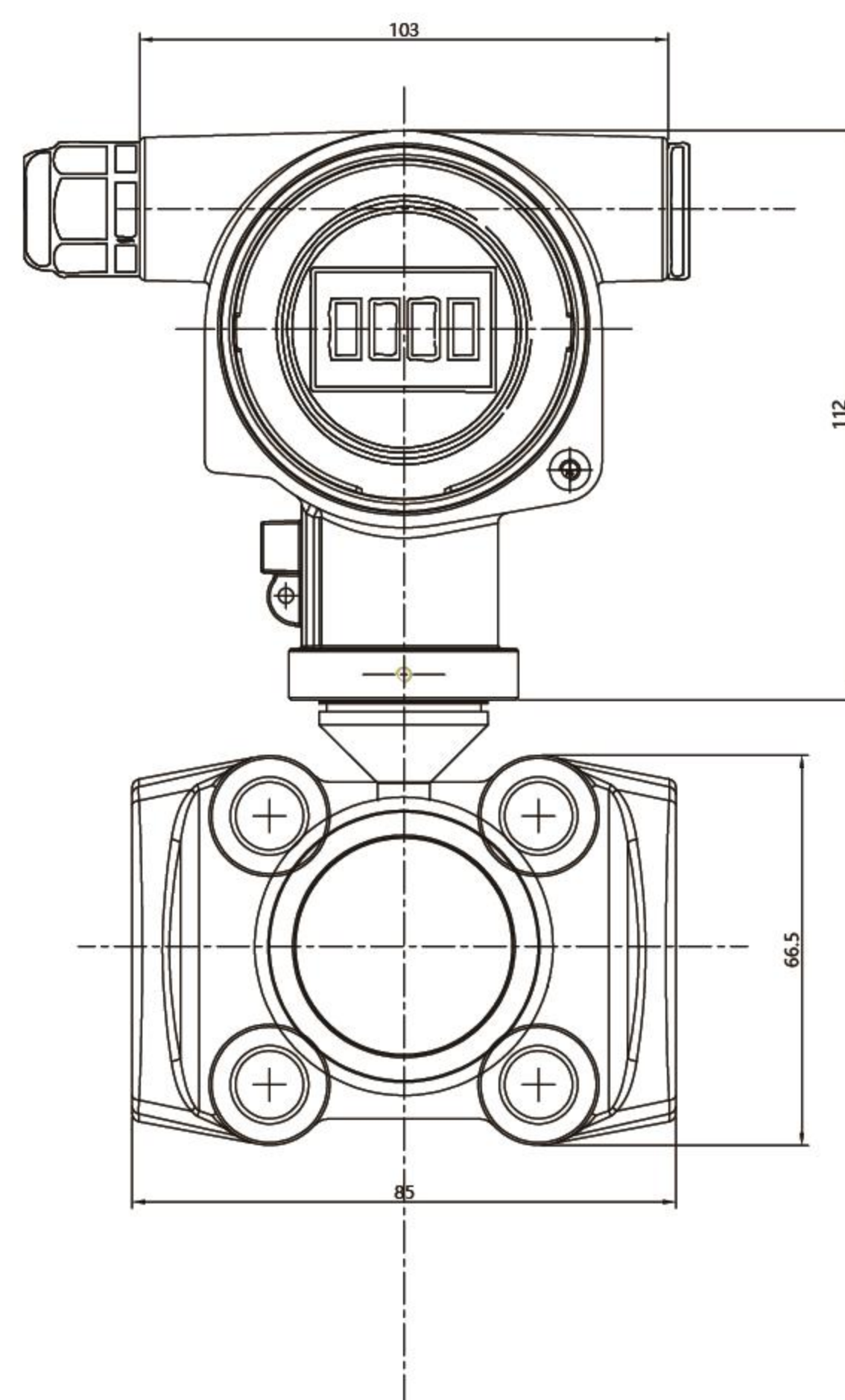
There are various types of connection materials and membrane materials, including stainless steel 304, stainless steel 316, anti-corrosion materials, Hastelloy alloy, titanium alloy, etc., which can be adjusted according to on-site working conditions

Choose the most suitable material.

## Technical Parameter

Application scenarios	Differential pressure measurement
Measurement range	0.....4MPa
Comprehensive accuracy	0.05%FS、0.075%FS、0.1%FS
Overpressure	Unilateral overpressure maximum 10MPa
Max static pressure	Bilateral static pressure maximum 25MPa
Response time	<5ms (rising to 90% FS)
Medium temperature	-20.....70°C
Operating temperature	-40.....85°C
Supply voltage	DC24V ( 10...30 V DC )
Output signal	4...20mA 、 0...5V、 0...10V、 Modbus、 HART
Sealing level	IP65
Connection material	Stainless steel 304, Stainless steel 316
Diaphragm material	Stainless steel 316, Hastelloy alloy, Tantalum, PFA coating
Stability performance	0.05% FS/year
Process connection	Thread, flange
Electrical connection	M20、 NPT1/2、 G1/2、 M12

## Specifications and Dimensions



**Certification**

- A Common
- B NEPSI Ex ia IIC T4
- C NEPSI Ex d IIC T6
- E NEPSI Ex d ia IIC T6

**Range**

- DA 1kPa
- DB 3kPa
- DC 10kPa
- DD 40kPa
- DE 100kPa
- DF 400kPa
- DG 600kPa
- DH 1MPa
- DI 1.6MPa
- DJ 2.5MPa
- DK 4MPa
- YY Customized

**Shell+Communication**

- M Aluminum shell+cable plug M20
- L Aluminum shell+cable plug G1/2
- N Aluminum shell+cable plug NPT1/2
- K Aluminum shell+cable plug M12
- Y Customized

**Diaphragm**

- S 316L
- P PFA Coating
- H Hastelloy alloy
- T Tantalum
- G Gold-plated
- Y Customized

**Output**

- 1 4-20mA
- 2 4-20mA + Display
- 3 0-10V
- 4 0-10V + Display
- 5 Modbus
- 6 Modbus + Display
- 7 4-20mA Hart
- 8 4-20mA Hart + Display

**Process Connection**

- UA NPT1/4-18 M10 mounting hole
- UB NPT1/4-18 M10 mounting hole, including air valvesx2
- UC NPT1/4-18 M10 mounting hole, including NPT1/2 plug X2, air valve x2

**Accuracy**

- A 0.05%
- B 0.075%
- C 0.1%

10 20 30 40 50 60 70

**PK960 Differential Pressure Transmitter**

**Selection rules:**

Requirements: Explosion proof certification, M20 communication connection, 4-20mA Hart+display, 1MPa, 0.05% FS, 316L and NPT1/4-18 IEC61518 UNF7/16-20 mounting holes

Select model: PK960-CM8DHSUA