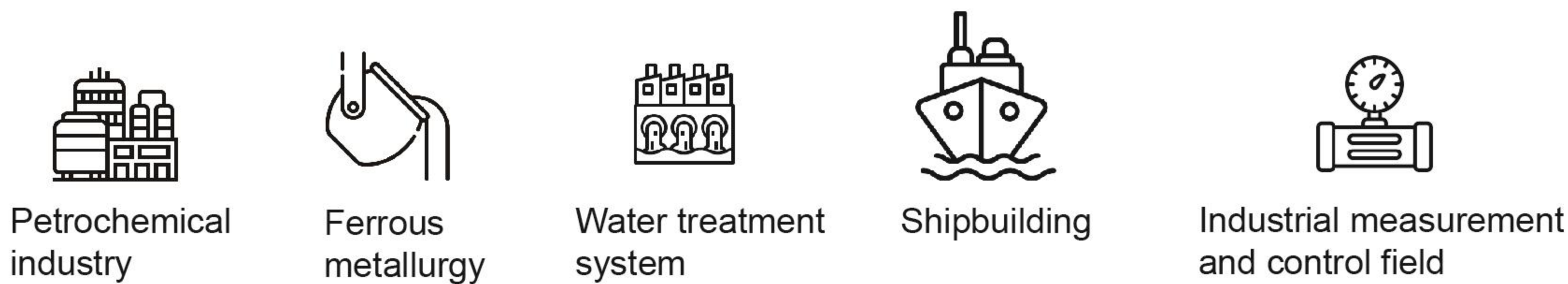


PK860 Pressure Transmitter

Product Certification



Application Scenarios



Product Features

Range	Accuracy	Output	Connection material	Diaphragm material
-100kPa... 60MPa-gauge, negative, and absolute pressure	0.05%FS、 0.075%FS、 0.1%FS	4...20mA、0...5V 、0...10V、 Modbus、HART	Stainless steel 304, stainless steel 316, duplex steel, Hastelloy alloy, zirconium material, etc	Stainless steel 316, Hastelloy alloy, tantalum, PFA coating, gold-plated

Product Description

The pressure transmitter of this product has a comprehensive accuracy of 0.05% FS and a wide pressure range of -100kPa to 60MPa, gauge pressure, negative pressure, and absolute pressure

The pressure types are complete and the annual drift is very small, at 0.05% FS/year. The performance is very stable, with excellent long-term stability.

The product has obtained intrinsic safety and explosion-proof certification, and its high reliability performance is widely used in petroleum and petrochemical, steel metallurgy, water treatment systems, shipbuilding industrial measurement and control field.

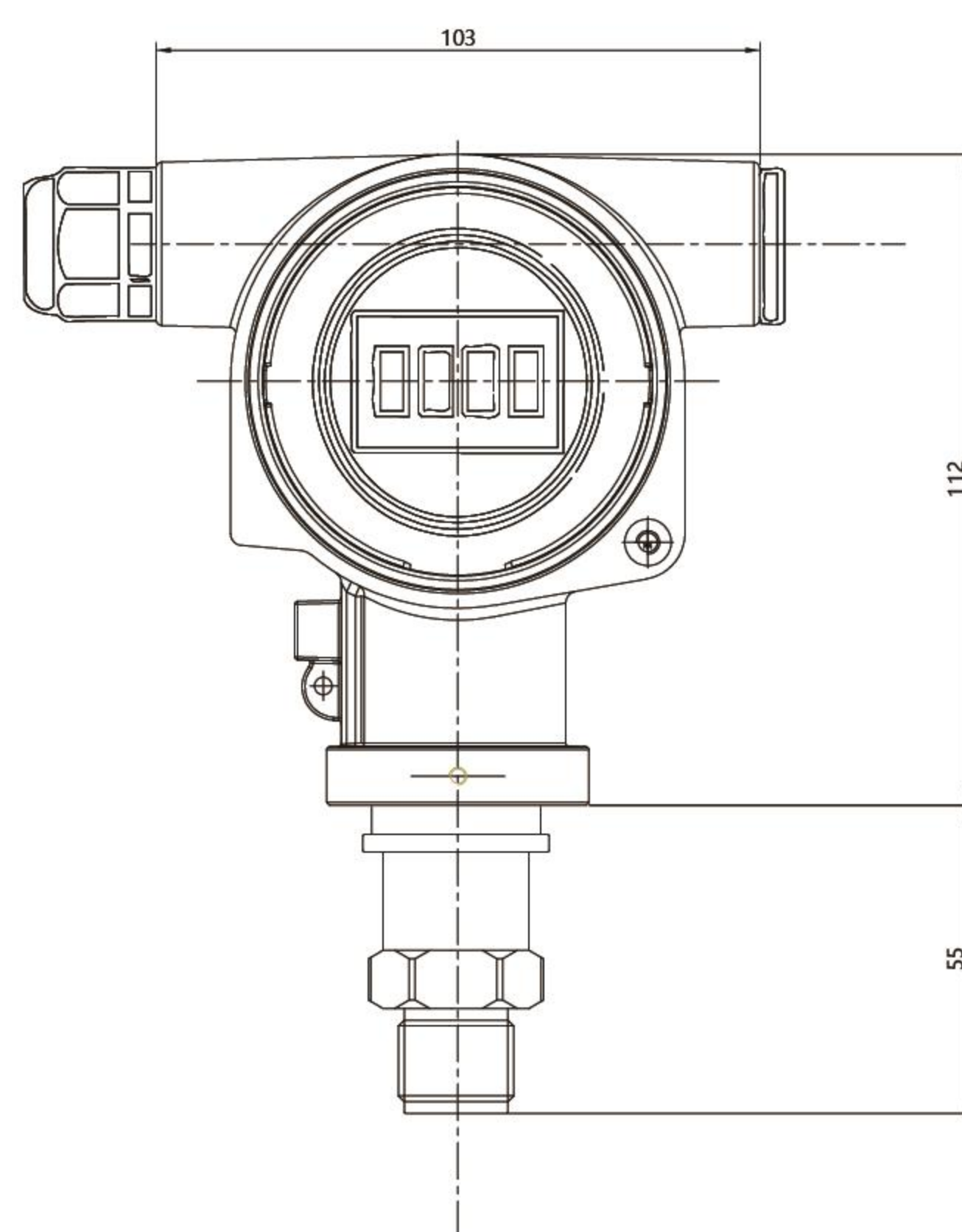
The product uses high-performance conditioning chips and integrated circuits to convert sensor millivolt or milliampere signals into standard voltage, current, or digital signals, which can be directly communicate with upper computer, PLC, various intelligent instruments, and control monitoring platforms.

There are various types of connection materials and membrane materials, including stainless steel 304, stainless steel 316, anti-corrosion materials, Hastelloy alloy, titanium alloy, etc., which can be adjusted according to on-site working conditions

Technical Parameter

Application scenarios	Gauge, Absolute and Negative pressure
Measurement range	-0.1MPa.....0.....60MPa
Comprehensive accuracy	0.05%FS、0.075%FS、0.1%FS
Overpressure	1.5 times
Response time	<5ms (rising to 90% FS)
Medium temperature	-20.....70°C
Operating temperature	-40.....85°C
Supply voltage	DC24V (10...30 V DC)
Output signal	4...20mA 、 0...5V、 0...10V、 Modbus、 HART
Sealing level	IP65
Connection material	SS 304, SS 316, duplex steel, Hastelloy, zirconium, etc
Diaphragm material	SS 316, Hastelloy alloy, tantalum, PFA coating, gold-plated
Stability performance	0.05% FS/year
Process connection	Thread, flange
Electrical connection	M20、 NPT1/2、 G1/2、 M12

Specifications and Dimensions



Certification

- A Common
- B NEPSI Ex ia IIC T4
- C NEPSI Ex d IIC T6
- E NEPSI Ex d ia IIC T6

Process Connection

- GM M20x1.5
- GN NPT1/2
- NN NPT1/2 F Female
- GO G1/4
- NO G1/4 F Female
- GP G1/2
- NP G1/2 F Female
- GQ NPT3/4
- GR G1
- GS G2
- GT NPT1/4
- NT NPT1/4 F Female
- IA DIN 11851 DN25
- IB DIN 11851 DN32
- IC DIN 11851 DN40
- ID DIN 11851 DN50
- DA EN/DIN Flange DN25 PN10-40 B1
- DB EN/DIN Flange DN32 PN10-40 B1
- DC EN/DIN Flange DN40 PN10-40 B1
- DD EN/DIN Flange DN50 PN10-40 B1
- DE EN/DIN Flange DN80 PN10-40 B1
- AA ASME Flange 1" 300lbs RF
- AB ASME Flange 1-1/2" 150lbs RF
- AC ASME Flange 1-1/2" 300lbs RF
- AD ASME Flange 2" 150lbs RF
- AE ASME Flange 2" 300lbs RF
- AF ASME Flange 3" 150lbs RF
- AG ASME Flange 3" 300lbs RF
- AH ASME Flange 4" 150lbs RF
- AI ASME Flange 4" 300lbs RF
- HK HG/T20592 Flange DN25 PN10/40 RF
- HA HG/T20592 Flange DN50 PN10/40 RF
- HB HG/T20592 Flange DN63 PN10/40 RF
- HC HG/T20592 Flange DN80 PN10/40 RF
- HD HG/T20615 Flange NPS 2" Cl.150 RF
- HE HG/T20615 Flange NPS 3" Cl.150 RF
- HF HG/T20615 Flange NPS 2" Cl.300 RF
- HG HG/T20615 Flange NPS 3" Cl.300 RF
- YY Customized

Shell+Communication interface

- M Aluminum shell+cable plug M20
- L Aluminum shell+cable plug G1/2
- N Aluminum shell+cable plug NPT1/2
- K Aluminum shell+cable plug M12
- Y Customized

Range

- MA 10kPa
- BA 40kPa
- BB 100kPa
- BW 200kPa
- BC 400kPa
- BD 600kPa
- BE 1MPa
- BF 1.6MPa
- BG 2.5MPa
- BH 4MPa
- BI 10MPa
- BM 20MPa
- BN 30MPa
- BK 40MPa
- BL 60MPa
- YY Customized

Output

- 1 4-20mA
- 2 4-20mA + Display
- 3 0-10V
- 4 0-10V + Display
- 5 Modbus
- 6 Modbus + Display
- 7 4-20mA Hart
- 8 4-20mA Hart + Display

Type

- G Gauge
- A Absolute
- M Negative

Process connection material

- L 304
- S 316L
- D Dual phase steel
- H Hastelloy alloy
- Z Zirconium
- Y Customized

Diaphragm

- S 316L
- P PFA coating
- H Hastelloy alloy
- T Tantalum
- G Gold-plated
- Y Customized

Accuracy

- A 0.05%
- B 0.075%
- C 0.1%

10

20

30

40

50

60

70

80

90

PK860 Pressure Transmitter

Selection rules:

Requirements: Explosion proof certification, M20 communication interface, 4-20mA Hart+display, 1MPa gauge pressure, 0.05% FS, G1/4, and threaded material 316L

Select model: PK860-CM8BEGGOSSA