

PK660 Pressure Transmitter

Product Certification



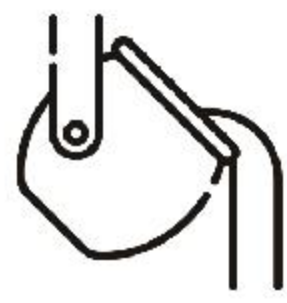
RoHS



Application Scenarios



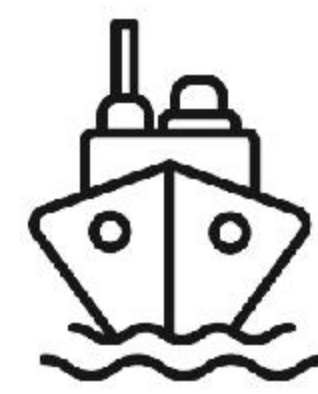
Petroleum
& Petrochemical



Ferrous
Metallurgy



Water treatment
system



Shipbuilding



Industrial measurement
and control field

Product Features

Range	Accuracy	Output Signal	Connection Material
-100kPa... 60MPa Gauge, Negative and Absolute	0.1%FS 0.25%FS	4...20mA 、 0...5V 、 0...10V、 Modbus 、 HART	Stainless steel 304, Stainless steel 316, anti-corrosion materials

Product Description

This pressure transmitter has a comprehensive accuracy of 0.1% FS and full temperature compensation, with superior and stable performance.

For hydrogen measurement, metal diaphragm type can also be selected, with an accuracy of 0.25% FS.

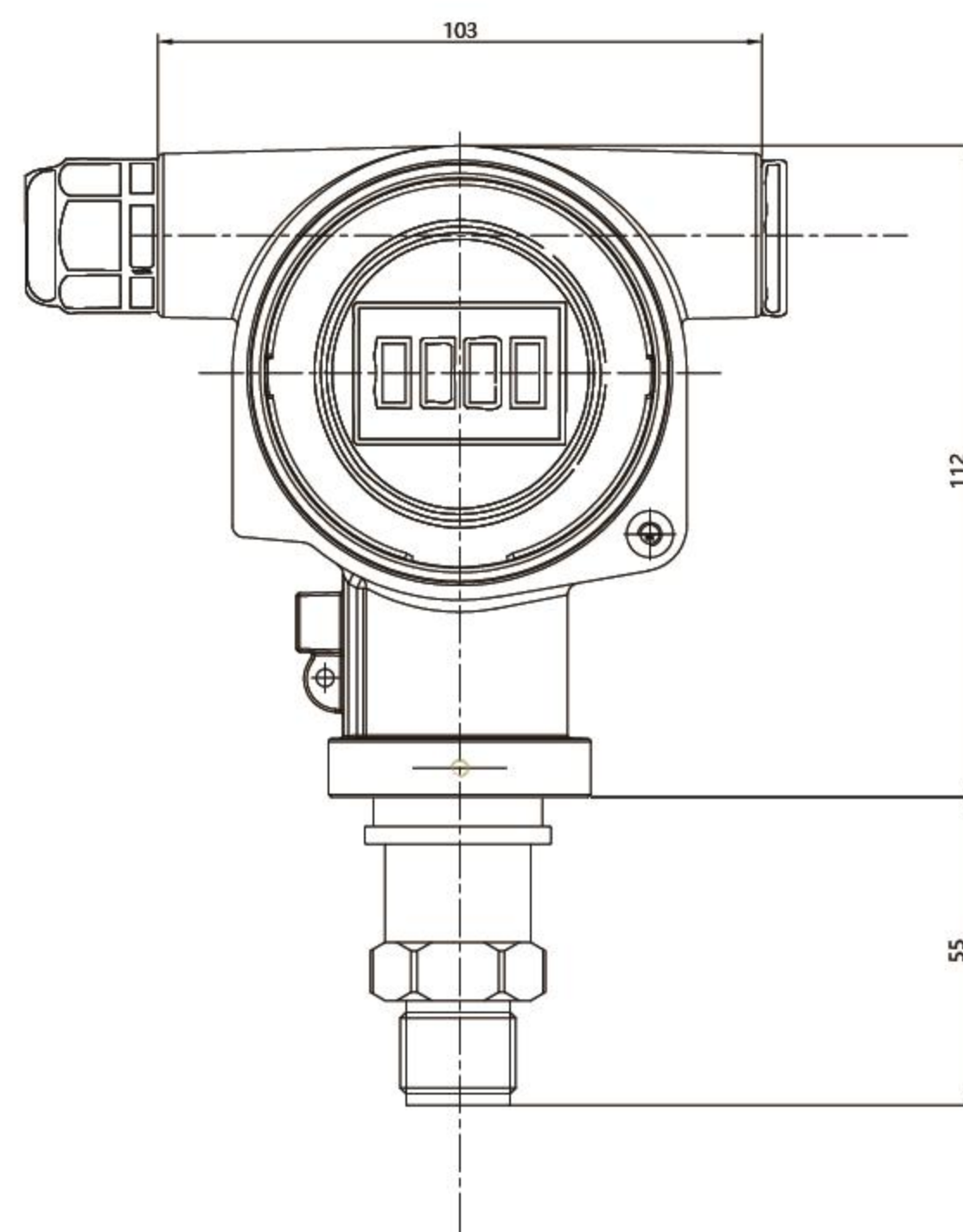
Widely used in: petroleum and petrochemical, steel metallurgy, water treatment systems, shipbuilding, industrial measurement and control fields.

The product uses high-performance conditioning chips and integrated circuits to convert sensor millivolt or milliampere signals into standard voltage, current, or digital signals, which can be directly communicate with upper computer, PLC, various intelligent instruments, and control monitoring platforms.

Technical Parameter

Application Scenarios	Gauge, Absolute, Negative pressure
Measurement range	-0.1MPa.....0.....60MPa
Comprehensive accuracy	0.1%FS / 0.25%FS(Metal diaphragm)
Overpressure	1.5 times
Response time	<5ms (rising to 90% FS)
Medium temperature	-20.....70°C
Operating temperature	-40.....85°C
Supply voltage	DC24V (10...30 V DC)
Output signal	4...20mA 、 0...5V、 0...10V、 Modbus、 HART
Sealing level	IP65
Connection material	SS 304, SS 316, anti-corrosion materials
Diaphragm material	Stainless Steel 316
Stability performance	0.1% FS/year
Process connection	Thread, flange
Electrical connection	M20、 NPT1/2、 G1/2、 M12

Specifications and Dimensions



Certification

- A Common
- B NEPSI Ex ia IIC T4
- C NEPSI Ex d IIC T6
- E NEPSI Ex d ia IIC T6

Shell+Communication interface

- M Aluminum shell+cable plug M20
- L Aluminum shell+cable plug G1/2
- N Aluminum shell+cable plug NPT1/2
- K Aluminum shell+cable plug M12
- Y Customized

Output

- 1 4-20mA
- 2 4-20mA + Display
- 3 0-10V
- 4 0-10V + Display
- 5 Modbus
- 6 Modbus + Display
- 7 4-20mA Hart
- 8 4-20mA Hart + Display

Range

- BA 40kPa
- BB 100kPa
- BW 200kPa
- BC 400kPa
- BD 600kPa
- BE 1MPa
- BF 1.6MPa
- BG 2.5MPa
- BH 4MPa
- BI 10MPa
- BM 20MPa
- BN 30MPa
- BK 40MPa
- BL 60MPa
- YY Customized

Type

- G Gauge
- A Absolute
- M Negative

Process connection

- GM M20x1.5
- GN NPT1/2
- NN NPT1/2 F Female
- GO G1/4
- NO G1/4 F Female
- GP G1/2
- NP G1/2 F Female
- GQ NPT3/4
- GR G1
- GS G2
- GT NPT1/4
- NT NPT1/4 F Female
- 1A DIN 11851 DN25
- 1B DIN 11851 DN32
- 1C DIN 11851 DN40
- 1D DIN 11851 DN50
- DA EN/DIN flange DN25 PN10-40 B1
- DB EN/DIN flange DN32 PN10-40 B1
- DC EN/DIN flange DN40 PN10-40 B1
- DD EN/DIN flange DN50 PN10-40 B1
- DE EN/DIN flange DN80 PN10-40 B1
- AA ASME flange 1" 300lbs RF
- AB ASME flange 1-1/2" 150lbs RF
- AC ASME flange 1-1/2" 300lbs RF
- AD ASME flange 2" 150lbs RF
- AE ASME flange 2" 300lbs RF
- AF ASME flange 3" 150lbs RF
- AG ASME flange 3" 300lbs RF
- AH ASME flange 4" 150lbs RF
- AI ASME flange 4" 300lbs RF
- HK HG/T20592 flange DN25 PN10/40 RF
- HA HG/T20592 flange DN50 PN10/40 RF
- HB HG/T20592 flange DN63 PN10/40 RF
- HC HG/T20592 flange DN80 PN10/40 RF
- HD HG/T20615 flange NPS 2" Cl.150 RF
- HE HG/T20615 flange NPS 3" Cl.150 RF
- HF HG/T20615 flange NPS 2" Cl.300 RF
- HG HG/T20615 flange NPS 3" Cl.300 RF
- YY Customized

Membrane type

- S 316L
- P PFA plating
- H Hastelloy alloy
- T Tantalum film
- G Gold-plated film
- Y Customized

Accuracy

- C 0.1%FS
- F 0.25%FS

10

20

30

40

50

60

70

80

PK660 Pressure Transmitter

Selection rules:

Requirements: Explosion proof certification, M20 communication interface, 4-20mA Hart+display, 1MPa absolute pressure and G1/2, 316L diaphragm

Select model:

PK660-CM8BEAGPSC