

PK464 High Temperature Pressure Transmitter



Product Certification

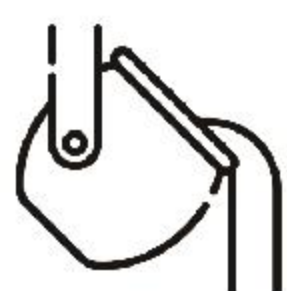


RoHS

Application Scenarios



Petroleum and Petrochemical



Ferrous metallurgy



Water treatment system



Measurement and Control field

Product Features

Range	Accuracy	Medium Temp	Connection Material	Diaphragm Material
-100kPa 100MPa Gauge, Negative and Absolute pressure	0.2%FS、0.5%FS	-40...250℃	Stainless steel 304, Stainless steel 316, anti-corrosion materials	Stainless steel 316

Product Description

This product serves as an explosion-proof high-temperature pressure transmitter, capable of measuring the temperature range of the medium: -40... 250 °C, used for stable measurement and monitoring of high-temperature steam and heat.

The pressure of high-temperature media such as oil. Widely used in petroleum and petrochemical, various chemical industries, steel metallurgy, water treatment systems, and various measurement and control fields.

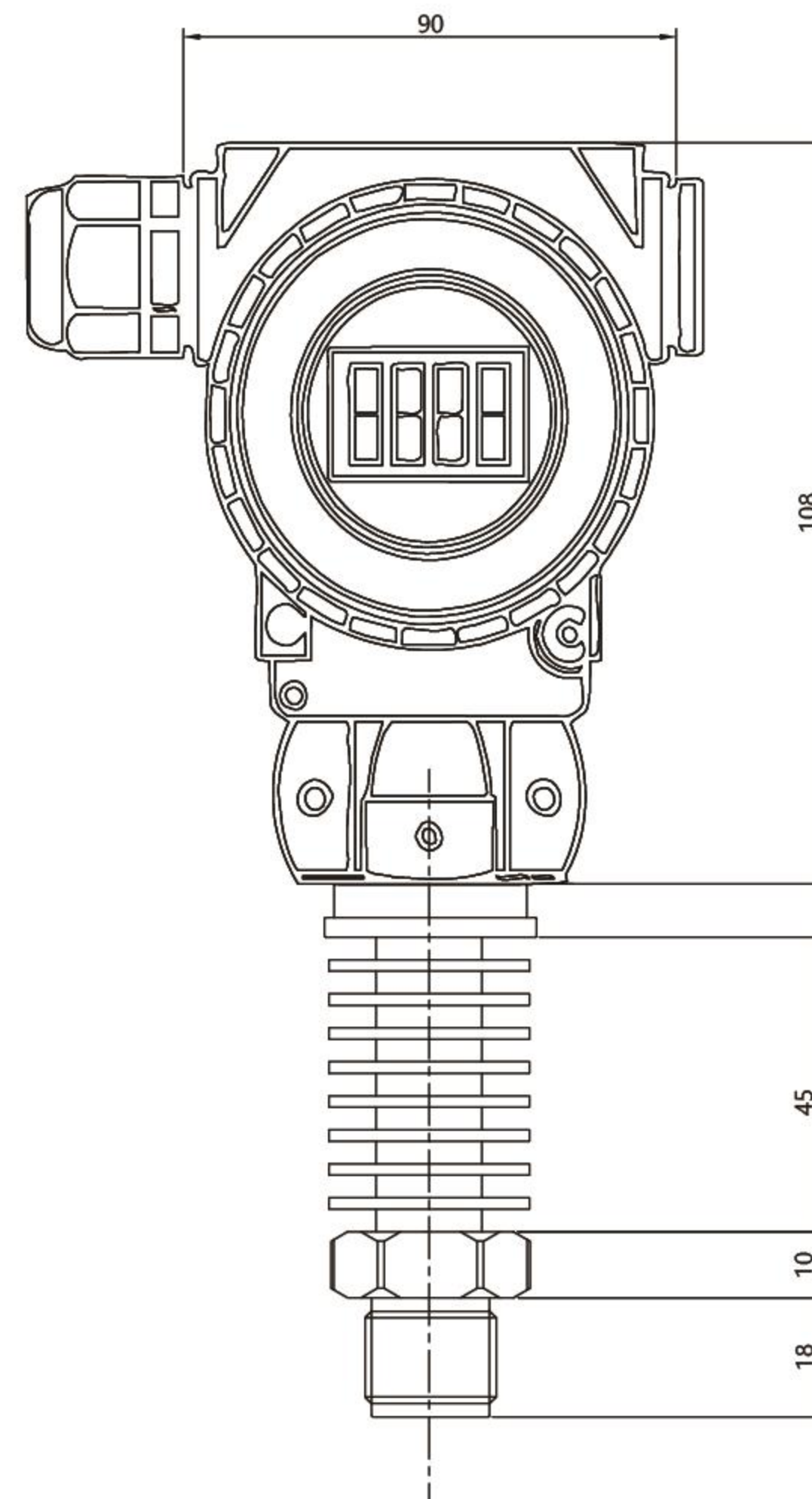
As a pressure sensor, the oil filled core has high precision, high stability, excellent long-term stability, and reliability.

Compact structure, compact installation, stainless steel interface, ensuring sturdiness and durability, IP65 protection level and intrinsic safety and explosion-proof certification allow the product to adapt to various harsh conditions and media.

Technical Parameter

Application scenarios	Gauge, Absolute and Negative pressure
Measurement range	-0.1MPa.....0.....100MPa
Comprehensive accuracy	0.2%FS、0.5%FS
Overpressure	1.5 times
Response time	<5ms (rising to 90% FS)
Medium temperature	-40.....250°C
Operating temperature	-40.....85°C
Supply voltage	DC24V (10...30 V DC)
Output signal	4...20mA 、 0...5V、 0...10V、 Modbus
Sealing level	IP65
Connection material	SS 304, SS 316, anti-corrosion materials
Diaphragm material	Stainless Steel 316
Stability performance	0.2% FS/year
Process connection	Thread, flange, clamp
Electrical connection	M20、 NPT1/2

Specifications and Dimensions



Certification

- A Common
- B NEPSI Ex ia IIC T4
- C NEPSI Ex d IIC T6
- E NEPSI Ex d ia IIC T6

Shell+Communication interface

- M Aluminum shell+M20 communication interface
- N Aluminum shell+NPT1/2 communication interface
- S All stainless steel housing
- Y Customized

Output

- 1 4-20mA
- 2 4-20mA + Display
- 3 0-10V
- 4 0-10V + Display
- 5 Modbus
- 6 Modbus + Display
- 7 4-20mA Hart
- 8 4-20mA Hart+ Display

Range

- BA 40kPa
- BB 100kPa
- BW 200kPa
- BC 400kPa
- BD 600kPa
- BE 1MPa
- BF 1.6MPa
- BG 2.5MPa
- BH 4MPa
- BI 10MPa
- BM 20MPa
- BN 30MPa
- BK 40MPa
- BL 60MPa
- BR 100MPa
- YY Customized

Type

- G Gauge
- A Absolute
- M Negative

Process Connection

- GM M20x1.5
- GN NPT1/2
- NN NPT1/2 F Female
- GO G1/4
- NO G1/4 F Female
- GP G1/2
- NP G1/2 F Female
- GQ NPT3/4
- GR G1
- GS G2
- GT NPT1/4
- NT NPT1/4 F Female
- YY Customized

Accuracy

- E 0.2%FS
- K 0.5%fS

10

20

30

40

50

60

70

PK464 high temperature pressure transmitter

Selection rules:

Requirements: Explosion proof certification, M20 communication interface, 4-20mA output, 1MPa gauge pressure, G1/4 thread

Select model: PK464-CM1BEGGOE