

PK462 Flush Sanitary Pressure Transmitter

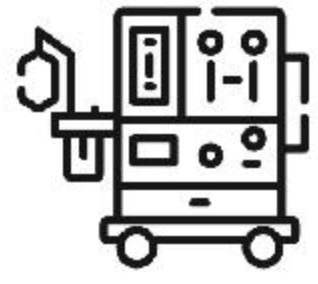
Certifications



RoHS



Application Scenarios



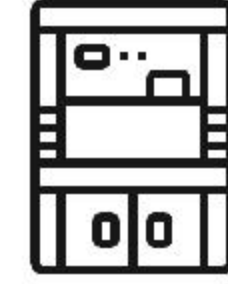
Medical equipment



Pharmaceutical equipment



Food Machinery



Hygiene and sterility measurement

Product Features

Range	Accuracy	Output	Electrical Connection	Process Connection
-100kPa...60MPa- Gauge, Negative and Absolute pressure	0.2%FS、 0.5%FS	4...20mA、0...5V 、0...10V etc.	Aluminum shell+M20, NPT1/2 and other customizable forms	G1/2 flush type, M20 × 1.5 flush type and sanitary flush type

Product Description

This product is designed with a flush sanitary design, ensuring its application in the fields of medical equipment, pharmaceutical equipment, food machinery, and sterile hygiene measurement.

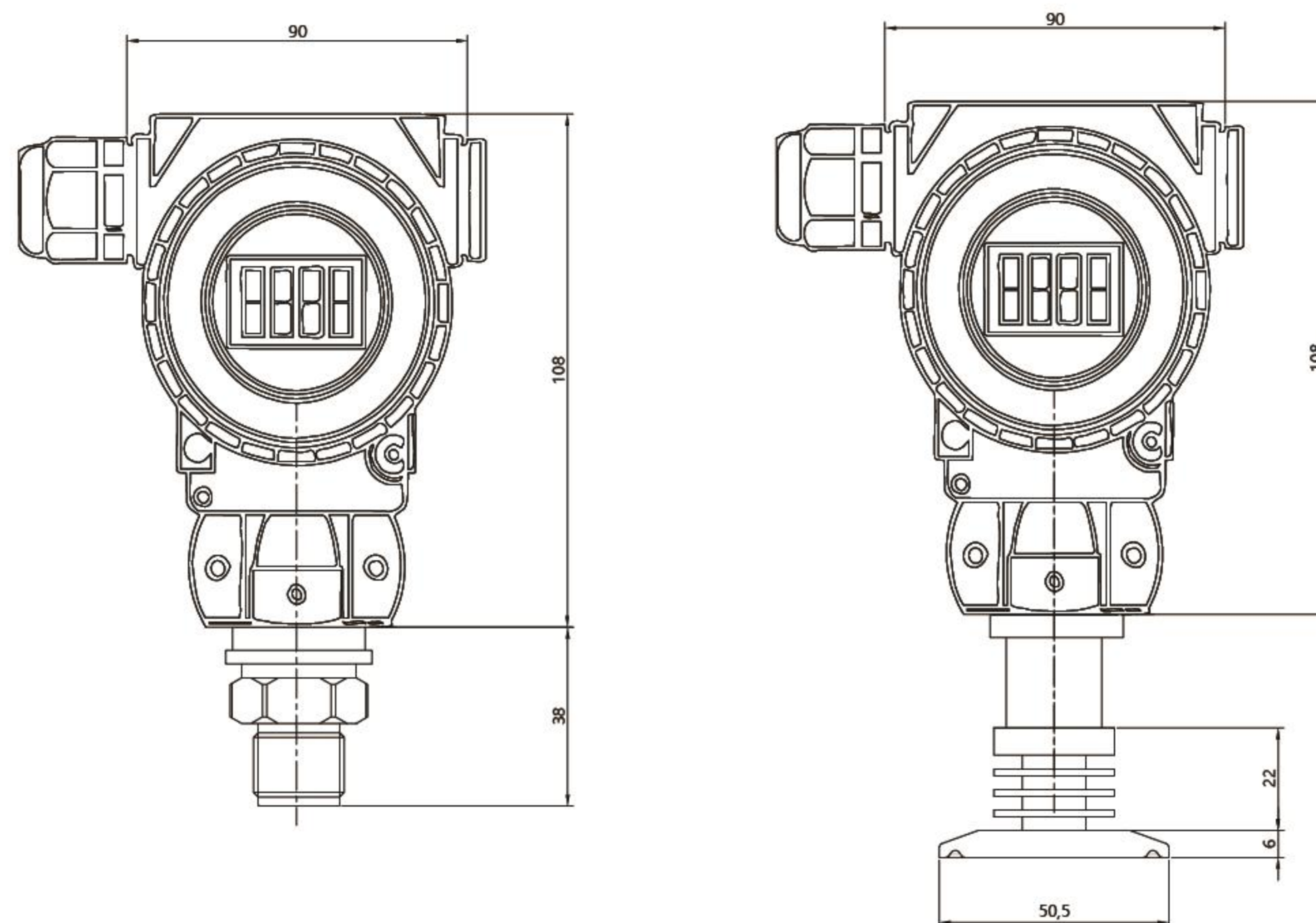
The product uses high-performance conditioning chips and integrated circuits to convert sensor millivolt or milliampere signals into standard voltage, current, or digital signals, which can be directly communicate with upper computer, PLC, various intelligent instruments and control monitoring platforms.

Compact structure, compact installation, stainless steel interface, ensuring sturdiness and durability.

Technical Parameter

Application scenarios	Gauge, Absolute and Negative pressure
Measurement range	-0.1MPa.....0.....60MPa
Comprehensive accuracy	0.2%FS、0.5%FS
Overpressure	1.5 times
Response time	<5ms (rising to 90% FS)
Medium temperature	-20.....70°C
Operating temperature	-40.....85°C
Supply Voltage	DC24V (10...30 V DC)
Output signal	4...20mA、0...5V、0...10V、Modbus、Hart
Sealing level	IP65
Connection material	Stainless steel 304, Stainless steel 316
Diaphragm material	Stainless steel 316
Stability performance	0.2% FS/year
Process connection	Thread, Clamp
Electrical connection	M20、NPT1/2

Specifications and Dimensions



Certification

- A Common
- B NEPSI Ex ia IIC T4
- C NEPSI Ex d IIC T6
- E NEPSI Ex d ia IIC T6

Shell+Communication interface

- M Aluminum shell+M20 communication interface
- N Aluminum shell+NPT1/2 communication interface
- S All stainless steel housing
- Y Customized

Output

- | | |
|---|----------------------|
| 1 | 4-20mA |
| 2 | 4-20mA + Display |
| 3 | 0-10V |
| 4 | 0-10V + Display |
| 5 | Modbus |
| 6 | Modbus + Display |
| 7 | 4-20mA Hart |
| 8 | 4-20mA Hart+ Display |

Range

- MA 10kPa
- BA 40kPa
- BB 100kPa
- BW 200kPa
- BC 400kPa
- BD 600kPa
- BE 1MPa
- BF 1.6MPa
- BG 2.5MPa
- BH 4MPa
- BI 10MPa
- BM 20MPa
- BN 30MPa
- BK 40MPa
- BL 60MPa
- YY Customized

Process Connection

- PR G1 Flush type
- PP G1/2 Flush type
- PM M20x1.5 Flush type
- TA Clamp Flush type (ϕ 50.5)
- YY Customized

Type

- G Gauge
- A Absolute
- M Negative

Accuracy

- E 0.2%FS
- K 0.5%FS

10	20	30	40	50	60	70
----	----	----	----	----	----	----

PK462 Flush Sanitary Pressure Transmitter**Selection rules:**

Requirements: Explosion proof certification, M20 communication interface, 4-20mA output, 1MPa gauge pressure, and G1/2 flush

Select model: PK462-CM1BEGPPE