

PK460 Pressure Transmitter



Product Certification



Application Scenarios



Product Features

Range	Accuracy	Output Signal	Connection Material
-100kPa 100MPa gauge, negative, and absolute pressure	0.2%FS、0.5%FS	4...20mA、0...5V、0...10V、Modbus、Hart	Stainless steel 304, stainless steel 316, anti-corrosion materials

Product Description

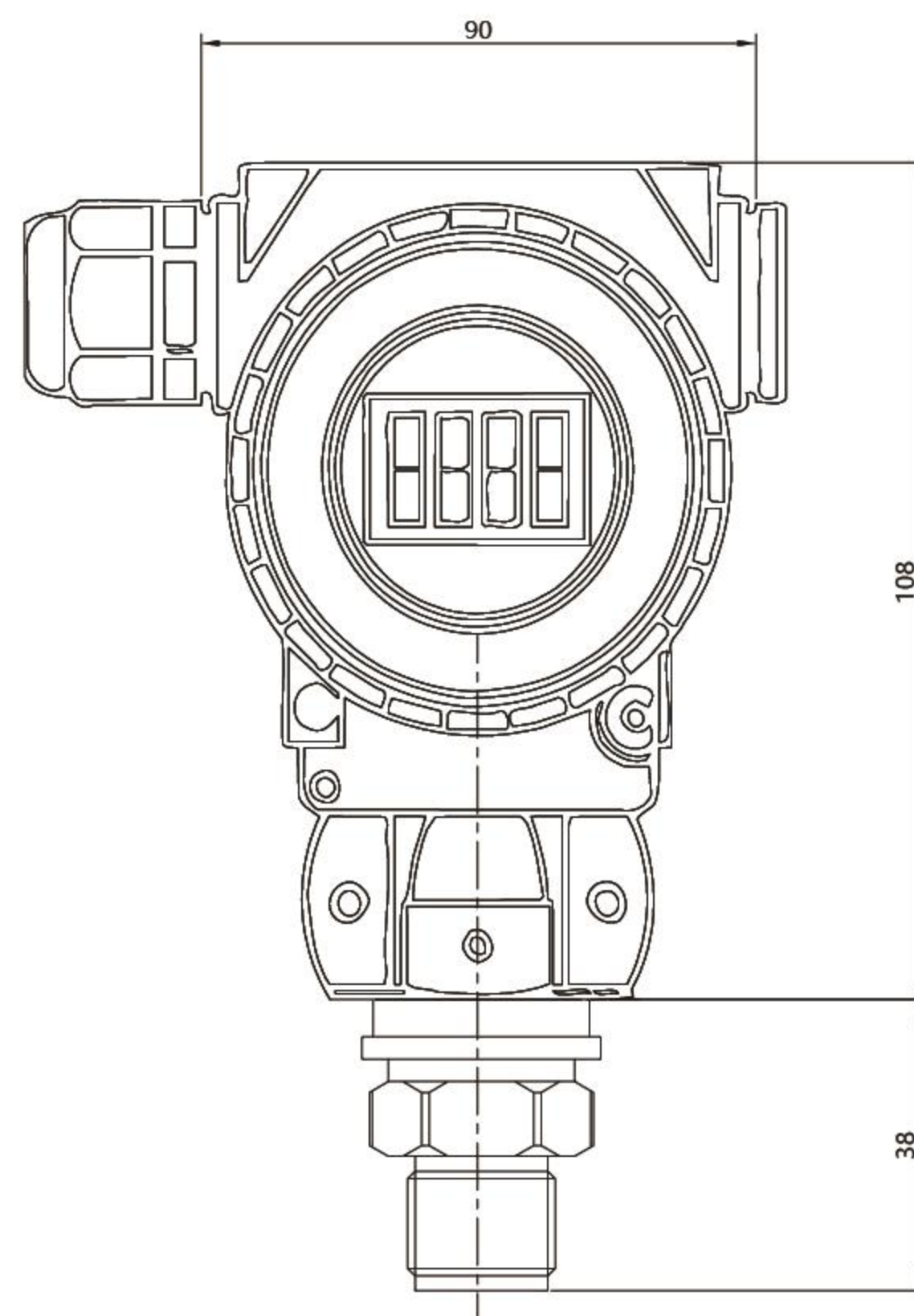
This product is an explosion-proof pressure transmitter with a wide pressure range of -100kPa 100MPa, with complete types of gauge pressure, negative pressure, and absolute pressure, achieving intrinsic safety. With explosion-proof certification and high reliability performance, it is widely used in petroleum and petrochemical, steel metallurgy, water treatment systems, shipbuilding, various measurement and control industries manufacturing field.

The product uses high-performance conditioning chips and integrated circuits to convert sensor millivolt or milliampere signals into standard voltage, current, or digital signals, which can be directly communicate with upper computer, PLC, various intelligent instruments, and control monitoring platforms.

Technical Parameter

Application scenarios	Gauge, Absolute and Negative pressure
Measurement range	-0.1MPa.....0.....100MPa
Comprehensive accuracy	0.2%FS、0.5%FS
Overpressure	1.5 times
Response time	<5ms (rising to 90% FS)
Medium temperature	-20.....70°C
Operating temperature	-40.....85°C
Supply voltage	DC24V (10...30 V DC)
Output signal	4...20mA 、 0...5V、 0...10V、 Modbus
Sealing level	IP65
Connection material	SS 304, SS 316, anti-corrosion materials
Diaphragm material	Stainless steel 316
Stability performance	0.2% FS/year
Process connection	Thread, flange
Electrical connection	M20、 NPT1/2

Specifications and Dimensions



Certification

- A Common
- B NEPSI Ex ia IIC T4
- C NEPSI Ex d IIC T6
- E NEPSI Ex d ia IIC T6

Shell+Communication interface

- M Aluminum shell+M20 communication interface
- N Aluminum shell+NPT1/2 communication interface
- S All stainless steel housing
- Y Customized

Output

- 1 4-20mA
- 2 4-20mA + Display
- 3 0-10V
- 4 0-10V + Display
- 5 Modbus
- 6 Modbus + Display
- 7 4-20mA Hart
- 8 4-20mA Hart+ Display

Range

- MA 10kPa
- BA 40kPa
- BB 100kPa
- BW 200kPa
- BC 400kPa
- BD 600kPa
- BE 1MPa
- BF 1.6MPa
- BG 2.5MPa
- BH 4MPa
- BI 10MPa
- BM 20MPa
- BN 30MPa
- BK 40MPa
- BL 60MPa
- BR 100MPa
- YY Customized

Type

- G Gauge
- A Absolute
- M Negative

Process Connection

- GM M20x1.5
- GN NPT1/2
- NN NPT1/2 F Female
- GO G1/4
- NO G1/4 F Female
- GP G1/2
- NP G1/2 F Female
- GQ NPT3/4
- GR G1
- GS G2
- GT NPT1/4
- NT NPT1/4 F Female
- YY Customized

Accuracy

- E 0.2%FS
- K 0.5%fS

10 20 30 40 50 60 70

PK460 Pressure Transmitter

Selection rules:

Requirements: Explosion proof certification, M20 communication connection, 4-20mA output, 1MPa gauge and G1/4 thread

Select model: PK460-CM1BEGGO