

## PK40X-D100... Digital pressure gauge

### Product Certification



### Application Scenarios



Pump and Compressor



Hydraulic/ pneumatic systems



Fire-fighting equipment



Injection molding machinery



Measurement and control

### Product Features

Range	Accuracy	Display	Low-power	Process connection
-100kPa-160MPa gauge, negative and absolute pressure	0.2%FS, 0.4%FS	LCD screen, multiple unit switching, reset, backlighting, on/off, extreme value recording, etc	Battery powered battery life for up to 18-24 months	G1/4, M20, NPT1/2 and other types are abundant, covering the vast majority of interface forms

### Product Discription

This product is a high-precision intelligent digital pressure gauge, which uses high-precision pressure sensors inside the product to accurately display pressure in real time, with high stability and advantages, long term stability and reliability of heterogeneity. Widely used in pumps and compressors, hydraulic/pneumatic systems, shipbuilding, various measurement and control fields.

The product has a 5-digit LCD screen, which can be powered by USB or battery. It has low power consumption, excellent battery life, and features backlighting, unit switching, clear to zero, switch on/off, low voltage alarm, extreme value recording and other functions.

The product operation is very simple and convenient to use, with good seismic resistance, and can measure various gases, liquids, and other media at the same time.

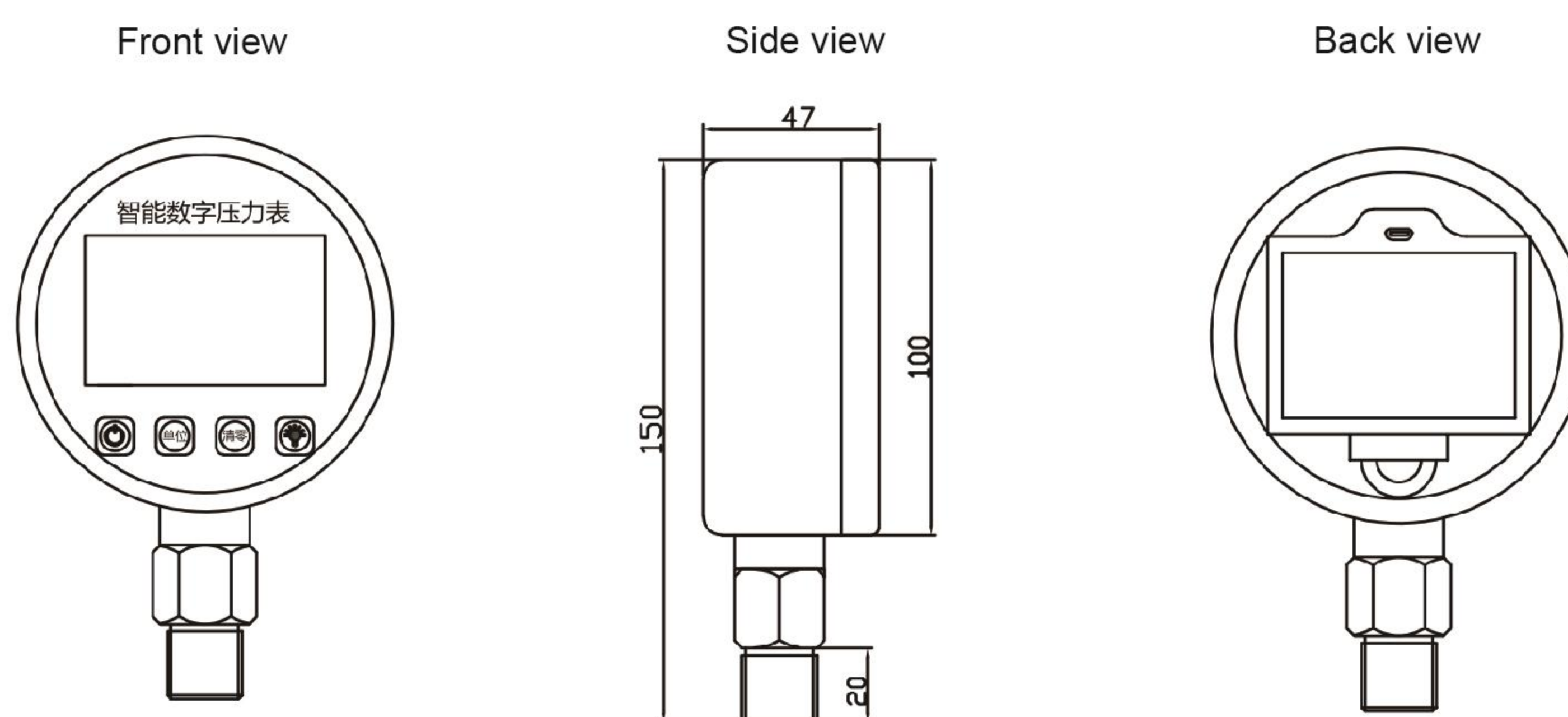
In summary, it is widely used in pumps and compressors, hydraulic/pneumatic systems, fire equipment systems, injection molding machinery, and various measurement and control fields.



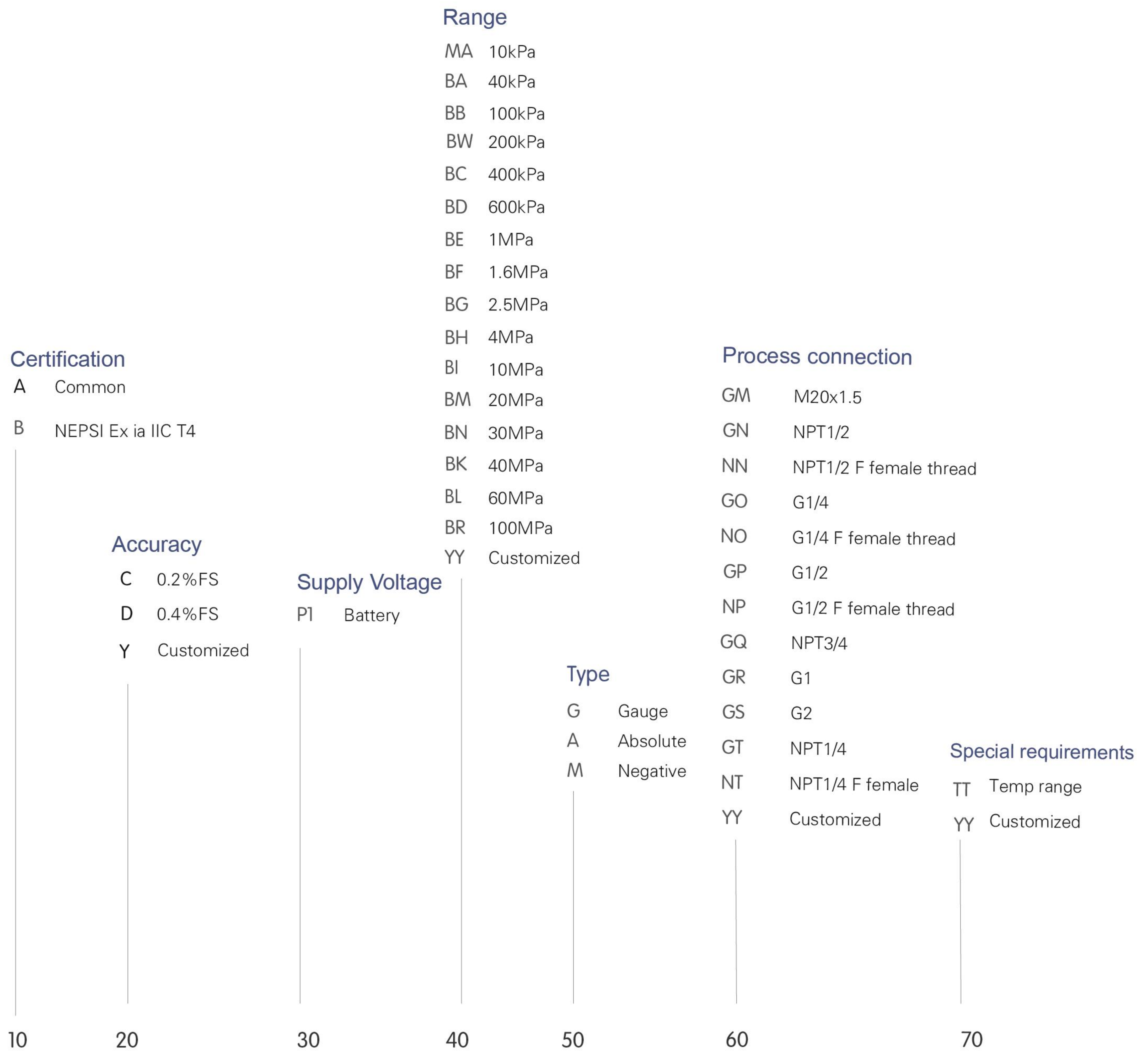
## Technical Parameter

Application Scenarios	Gauge, Absolute and Negative pressure
Measurement Range	-0.1MPa.....0.....160MPa
Comprehensive Accuracy	0.2%FS、0.4%FS
Overpressure	< 10MPa: 1.5 times; ≥ 10MPa: 1.2x
Dial Diameter	100mm
Display	5-digit display, LCD screen, white backlight
Medium Temperature	-5... 40 ° C (customizable -20... 150 ° C)
Supply Voltage	4.5V (3 AA batteries) or USB power supply
Sampling Frequency	3 times/second (adjustable)
IP Level	IP50 (IP54 can be equipped with a protective cover)
Connection/Shell Material	Stainless steel 304
Diaphragm Material	Stainless steel 316
Stability Performance	0.2% FS/year
Process Connection	Various types of threads, flanges, etc
Product Function	Unit switching, zeroing, backlighting, power on/off, pressure percentage display, extreme value recording, etc

## Specifications and dimensions (Unit: mm)







PK40X-D100... Digital pressure gauge

**Selection rules:**

Requirement: dial diameter 100mm, 0-1MPa absolute pressure, 0.2% FS, battery powered, G1/4

Select model: PK40X-D100ACP1BEAGO