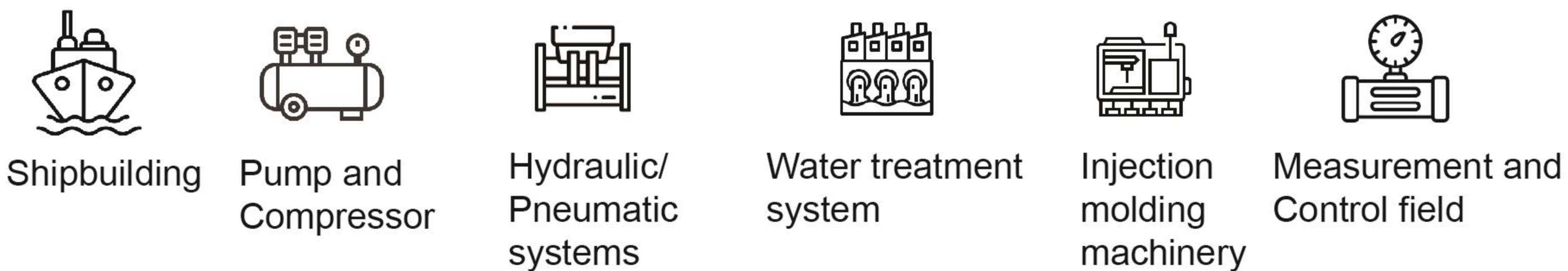


## PK400 Universal Pressure Transmitter

### Certification



### Application Scenarios



### Product Features

Range	Accuracy	Output	Electrical Connection	Process Connection
-100kPa to 100MPa gauge, negative and absolute pressure	0.2%FS	4...20mA、0...5V、0...10V etc.	Customizable forms of Hirschmann connectors, aviation connectors, waterproof plugs, etc	G1/4, M20, NPT1/2 and other types are abundant, covering the vast majority of interface forms

### Product Description

This product is a pressure transmitter with an oil filled core body. As a pressure sensor, the oil filled core body has high precision, high stability, excellent long-term stability and reliability. Widely used in pumps and compressors, hydraulic/pneumatic systems, shipbuilding, various measurement and control fields.

The product uses high-performance conditioning chips and integrated circuits to convert sensor millivolt or milliampere signals into standard voltage, current, or digital signals, which can be directly communicate with upper computer, PLC, various intelligent instruments, and control monitoring platforms.

Compact structure, compact installation, stainless steel interface ensuring durability, IP65 protection level (IP68 waterproof type) and intrinsic safety certification ensure product adaptable of various environmental and climatic conditions.

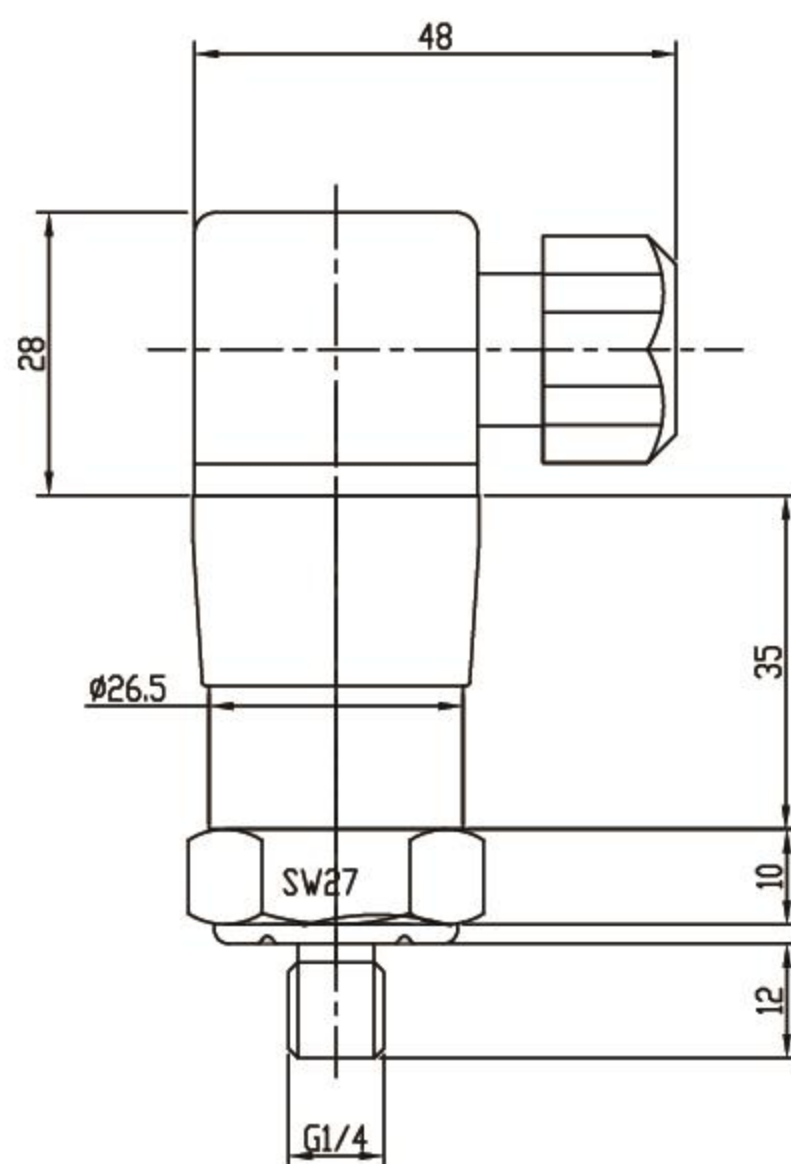


Technical Parameter

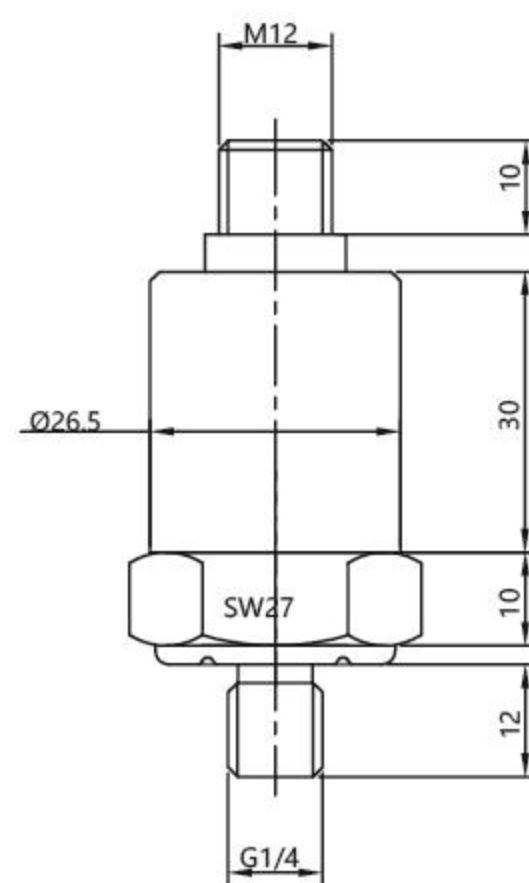
Application Scenarios	Gauge, Absolute and Negative pressure
Measurement Range	-0.1MPa.....0.....100MPa
Comprehensive Accuracy	0.2%FS
Overpressure	2 times ( $\leq 16\text{MPa}$ ); 1.5 times ( $>16\text{MPa}$ )
Response time	<5ms (rising to 90% FS)
Medium temperature	-40.....125°C
Operating temperature	-40.....125°C
Supply Voltage	DC24V ( 10...30 V DC ) 、 DC3...5V(I2C)
Output signal	4...20mA 、 0...5V、 0...10V、 Modbus、 HART
Sealing level	IP65, IP68 (Waterproof type)
Connection material	SS 304, SS 316, anti-corrosion materials
Diaphragm material	SS 316
Stability performance	0.2% FS/year
Process connection	Thread, flange
Electrical interfaces	Shielded wire, aviation connector, tightening nut, Hirschmann, Parker connector

Specifications and Dimensions (Unit: mm)

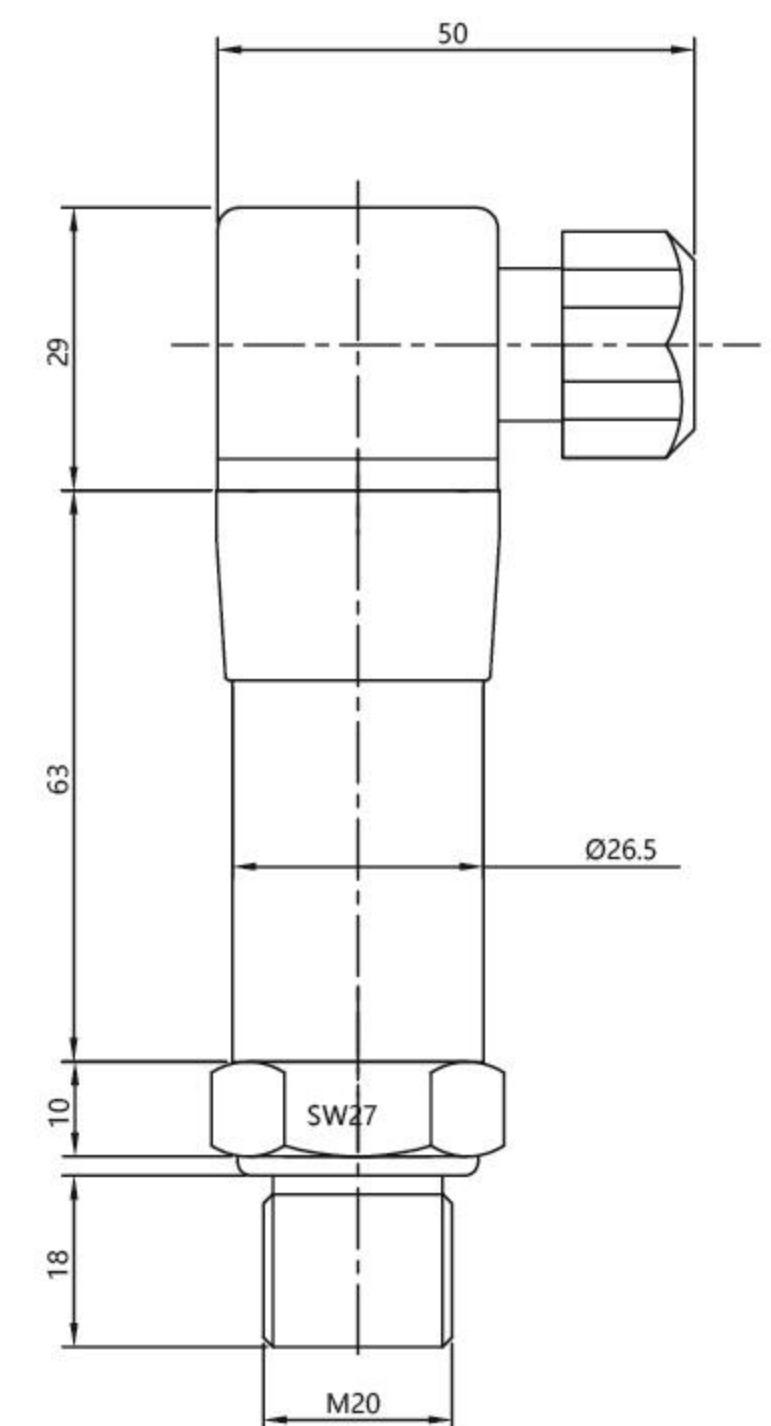
Exquisite - Hirschmann



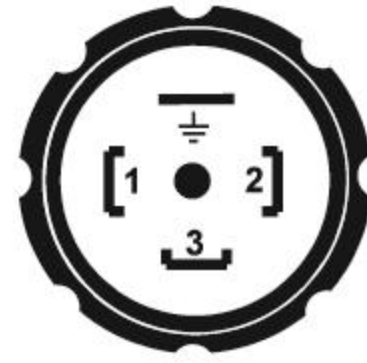

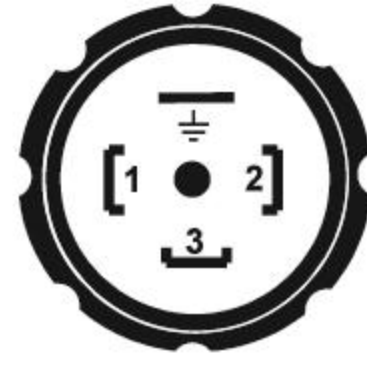

Exquisite Type-M12



Standard - Hirschmann



Electrical Connections

4-20mA current output					
	Pin	Description		Pin	Description
	1	PS +		1	PS +
	2	PS -		2	PS -
	3	N/C		3	N/C
4	⊕	4	N/C		
0-10V, 0-5V voltage output					
	Pin	Description		Pin	Description
	1	PS +		1	PS +
	2	PS -/V -		2	PS -/V -
	3	V +		3	V +
4	⊕	4	N/C		

Abbreviation

- PS + Positive power supply terminal
- PS - Negative power supply terminal
- V + Positive voltage output
- V - Negative voltage output



**Certification**

- A Common
- B NEPSI Ex ia IIC T4

**Shell+Communication interface**

- A Standard (stainless steel)+M12 connector
- B Standard (stainless steel)+Hirschmann connector
- D Standard (stainless steel)+aviation connector
- E Standard (stainless steel)+waterproof type
- H Exquisite (stainless steel)+Hirschmann connector
- J Exquisite (stainless steel)+M12 connector
- K Exquisite (stainless steel)+waterproof type
- L Exquisite (stainless steel)+Parker connector
- 1 Integrated+M12 connector

- 2 Integrated+Hirschmann
- 3 Integrated+Aviation
- 4 Integrated+Waterproof
- Y Customized

**Output**

- 1 4-20mA
- 2 4-20mA + Display
- 3 0-10V
- 4 0-10V + Display
- 5 Modbus
- 6 Modbus + Display
- 7 4-20mA Hart
- 8 4-20mA Hart + Display
- D I2C Communication

**Range**

- MA 10kPa
- BA 40kPa
- BB 100kPa
- BW 200kPa
- BC 400kPa
- BD 600kPa
- BE 1MPa
- BF 1.6MPa
- BG 2.5MPa
- BH 4MPa
- BI 10MPa
- BM 20MPa
- BN 30MPa
- BK 40MPa
- BL 60MPa
- BR 100MPa
- YY Customized

**Type**

- G Gauge
- A Absolute
- M Negative

**Process Connection**

- GM M20x1.5
- GN NPT1/2
- NN NPT1/2 F Female
- GO G1/4
- NO G1/4 F Female
- GP G1/2
- NP G1/2 F Female
- GQ NPT3/4
- GR G1
- GS G2
- GT NPT1/4
- NT NPT1/4 F Female
- YY Customized

10

20

30

40

50

60

**PK400 Universal Pressure Transmitter**

**Selection rules:**

Requirements: intrinsic safety certification, Hirschmann connector, 4-20mA output, 1MPa gauge pressure, and G1/4 thread

Select model: PK400-BB1BEGGO