

## PK86X-PF Flow-Through UHP PFA Pressure Sensor

### Application Scenarios



Semiconductor /Photovoltaic



Cleaning/Wet Process Equipment



Corrosive Medium



Chemical Blending System



### Product Features

#### Reliable

High-purity PFA one-piece molded structure for enhanced safety and reliability.

#### Design

The through-flow wetted chamber features a straight-through design, eliminating dead zones.

#### Acid/Alkali Resistant

The sensor is ceramic, and a sapphire version is available for HF/HCl applications.

#### Connection

Various connection options in high-purity PFA material are available.



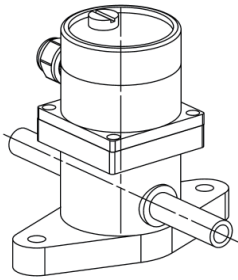
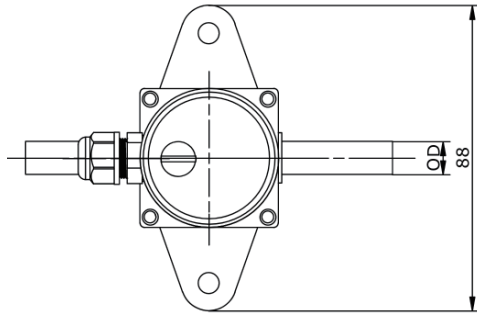
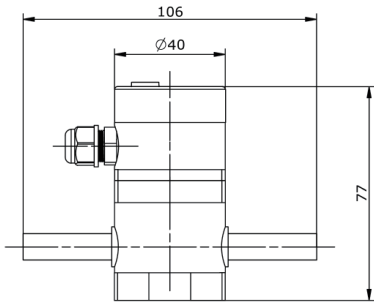
### Product Description

- This product features a high-purity, one-piece molded PFA structure with high reliability, suitable for both positive and negative pressure applications. The straight-through flow path design effectively eliminates dead zones, ensuring long-term stability.
- The pressure range covers -14.7 to 145 psi, with customizable ranges available to meet specific customer requirements.
- Each unit undergoes 100% testing and temperature compensation, ensuring highly stable and reliable performance.
- The sensor element is ceramic, offering excellent compatibility with acid/alkali media and ultrapure water. For special media such as HF / HCl, a sapphire sensor option is available, providing superior resistance to strong acids and significantly extending product lifetime.

### Technical Specifications

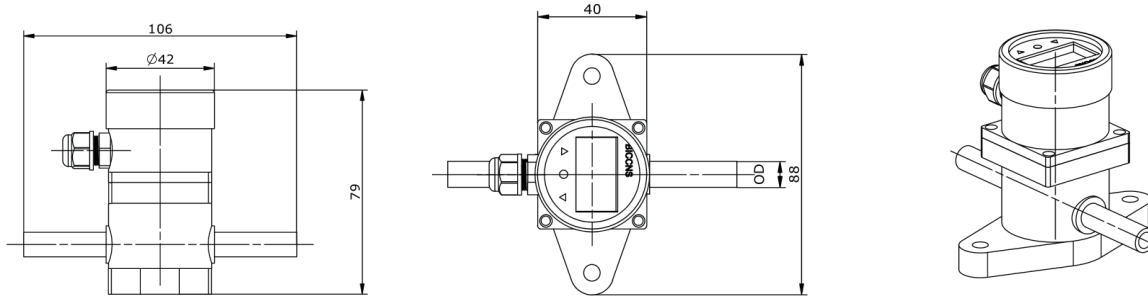
Application Scenarios	Gauge, Negative Liquid Pressure Measurement
Measurement Range	-14.7.....0.....145psi
Accuracy (@25°C)	±1%FS
Temp Coefficient	±0.1%FS/°C
Sensor Material	Ceramic/Sapphire
Over pressure	Max: the rated pressure × 3
Medium Temperature	0.....80°C
Ambient Temperature	-10.....65°C
Compensation Range	0.....40°C
Supply Voltage	DC24V (10...30 V DC)
Output Signal	4...20mA, Display version: 4...20mA+PNP/NPN*
Connection Material	PFA
Diaphragm Material	PFA
Stability Performance	Typical: ±1%FS/Year
Process Connection	Tube, Flared, Pillar etc.
Protection Level	IP55

### Specifications and Dimensions (Unit: mm)



Flow-through

Dimensions are for reference only. Actual product dimensions may vary.



Display Flow-through

Selection Specifications

		<b>Range</b>				<b>Connection Size</b>				
<b>Output</b>		PU	50psi	<b>Type</b>	T	Tube	1	1/4"	<b>Application (Optional)</b>	
		PT	75psi		F	Flared	2	3/8"		
	420P	4-20mA+PNP*2+Display	PS		100psi	P	Pillar	3		1/2"
	420N	4-20mA+NPN*2+Display	PO		145psi	Y	Others	4		3/4"
	1	4-20mA	YY	Customized	M	Negative	9	Others	SS HF/HCI	
10		20		30		40		50		60

PK86X-PF Flow-Through UHP PFA Pressure Sensor

Selection Example:

Requirement: 4-20mA Output, 0~100psi and 1/2"Tube

Selected Model: PK86X-PF1PSGT3

Range Code Table			
Code	Range	Code	Range
G100K	(0~0.1) MPa	BG100K	(-0.1~0.1) MPa
G200K	(0~0.2) MPa	BG200K	(-0.1~0.2) MPa
G300K	(0~0.3) MPa	BG300K	(-0.1~0.3) MPa
G500K	(0~0.5) MPa	BG500K	(-0.1~0.5) MPa
G700K	(0~0.7) MPa	BG700K	(-0.1~0.7) MPa
G1M	(0~1) MPa	BG1M	(-0.1~1) MPa